

Engineering Sheet

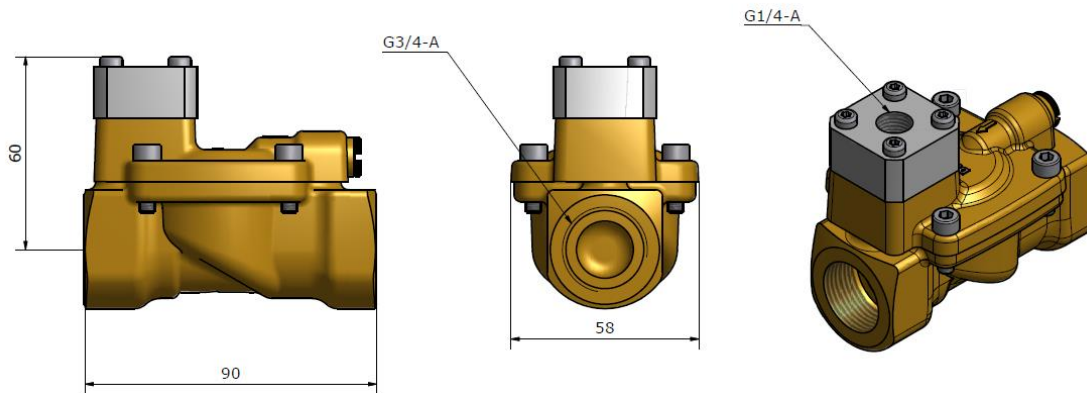


Valve type: EV220X 20B G 34E UN000
Danfoss code number: 032U7191

Danfoss A/S
Industrial
Automation IA

Albuen 29
DK-6000 Kolding,
Denmark
CVR nr.: 20 16 57 15

Phone: +45 7635 6565
Fax: +45 7635 6598



Dimensions in mm

Technical data

Valve:

Valve type	EV220X 20B G 34E UN000
Function	Universal
Connections	G 3/4"
Max. Opening differential pressure	10 bar
Min. opening differential pressure	0.3 bar
Kv-value	8.0 m ³ /h
Max. medium temperature	+ 140°C
Min. medium temperature	-30°C
Material: Body	Brass
Internal parts	Stainless steel
Valve plate/O-ring	EPDM
Special	No armature system

Working principle

When "armature tube" port is released valve will open, when "closed" the pressure will build up via equalizing orifice.

Note that bore between "armature tube" port and outlet is blocked using a small "coin". So the pilot orifice is useless, the pressure will be released from "armature tube" port instead of pilot.

Vincent Wei