

Engineering Sheet

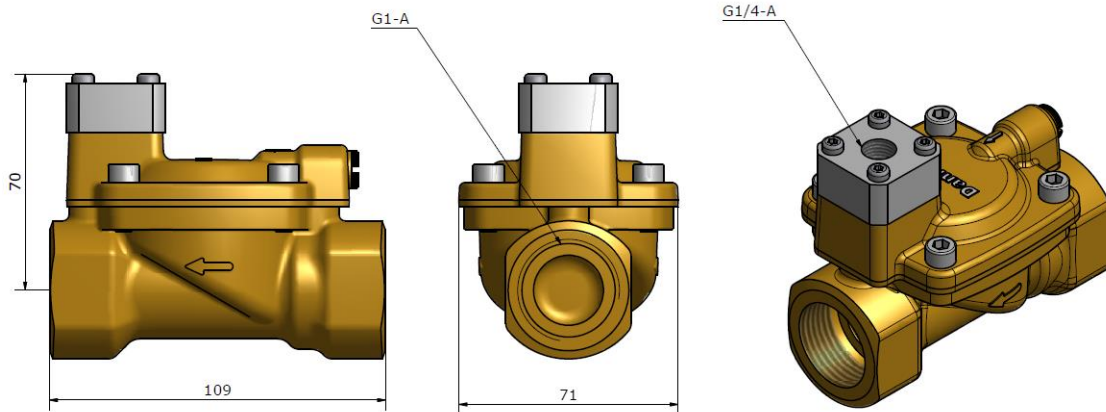


Valve type: EV220X 25B G 1E UN000
Danfoss code number: 032U7192

Danfoss A/S
Industrial
Automation IA

Albuen 29
DK-6000 Kolding,
Denmark
CVR nr.: 20 16 57 15

Phone: +45 7635 6565
Fax: +45 7635 6598



Dimensions in mm

Technical data

<u>Valve:</u>	Valve type	EV220X 25B G 1E UN000
	Function	Universal
	Connections	G 1"
	Max. Opening differential pressure	10 bar
	Min. opening differential pressure	0.3 bar
	Kv-value	11.0 m ³ /h
	Max. medium temperature	+ 140°C
	Min. medium temperature	-30°C
	Material: Body	Brass
	Internal parts	Stainless steel
	Valve plate/O-ring	EPDM
	Special	No armature system

Working principle

When "armature tube" port is released valve will open, when "closed" the pressure will build up via equalizing orifice.

Note that bore between "armature tube" port and outlet is blocked using a small "coin". So the pilot orifice is useless, the pressure will be released from "armature tube" port instead of pilot.